

Your Water. Perfected.

M. R. CRAFTS



# EcoWater Safe Fountain System

Reduces Lead and Other Contaminants

## Application



Drinking Water Fountain

## A New Standard for Drinking Water Fountain Purity

### Certified Contaminant Reduction:

- NSF 53 – Certified for 99.3% lead (both colloidal and dissolved lead) and VOC removal.
- NSF P231 – Certified for 99.9% bacteria, virus and cysts removal.

### Security:

- A Point-Of-Use approach designed to remove a wide range of typical water contaminants, ensuring safe water regardless of municipal system upsets, water main breaks or plumbing problems.
- System comes equipped with an automatic shut-off that monitors flow and turns off after the rated number of gallons is reached.
- EcoWater’s exclusive microbiological filter is designed to provide clean healthy water, even in the event of a boil water alert. In fact, the system automatically shuts down under excessive bacteria loading.
- Tamper proof cabinet protects the system from accidental damage and associated water leak. The industrial design also ensures problem-free operation for years to come.

### Professional Installation and Service Options:

- EcoWater offers professional installation and maintenance through its extensive dealer network, along with rental options to suit any user’s budget.

### Patented Technology:

- The Safe Fountain System uses two patented technologies, Metsorb®, a unique absorber that captures lead, and FACT® particulate filters to remove fine particles and prevent system fouling.



A TRUSTED PARTNER IN THE  
WATER AND WASTEWATER SECTORS  
CAGE: 4G8L7, DUNS: 780817479



# Specifications

Model	Safe Fountain System
Part Number	EPS 2000
Feed water pressure (min.-max.)	40-100 psi
Feed water temperature (min.-max.)	40-100°F
Flow rate (max.) gpm	0.74
Maximum iron/manganese	0
Maximum hydrogen sulfide	0
Prefilter (sediment/chlorine)	Fact® element
Microbiological Filter	purifying media
Postfilter (Lead)	block carbon

Organic Chemicals Reduced by Chloroform Surrogate Testing		
<ul style="list-style-type: none"> <li>Alachlor</li> <li>Atrazine</li> <li>Benzene</li> <li>Carbofuran</li> <li>Carbon Tetrachloride</li> <li>Chlorobenzene</li> <li>Chloropicrin</li> <li>2,4-D</li> <li>Dibromochloropropane (DBCP)</li> <li>o-Dichlorobenzene</li> <li>p-Dichlorobenzene</li> <li>1,2-Dichloroethane</li> <li>1,1-Dichloroethylene</li> <li>cis-1,2-Dichloroethylene</li> <li>trans-1,2-Dichloroethylene</li> <li>1,2-Dichloropropane</li> <li>cis-1,3-Dichloropropylene</li> <li>Dinoseb</li> </ul>	<ul style="list-style-type: none"> <li>Endrin</li> <li>Ethylbenzene</li> <li>Ethylene Dibromide (EDB)</li> <li>Haloacetonitriles (HAN):                             <ul style="list-style-type: none"> <li>Bromochloroacetonitrile</li> <li>Dibromoacetonitrile</li> <li>Dichloroacetonitrile</li> <li>Trichloroacetonitrile</li> </ul> </li> <li>Haloketones (HK):                             <ul style="list-style-type: none"> <li>1,1-dichloro-2-propanone</li> <li>1,1,1-trichloro-2-propanone</li> </ul> </li> <li>Heptachlor</li> <li>Heptachlor Epoxide</li> <li>Hexachlorobutadiene</li> <li>Lindane</li> <li>Methoxychlor</li> <li>Pentachlorophenol</li> <li>Simazine</li> </ul>	<ul style="list-style-type: none"> <li>Styrene</li> <li>1,1,2,2-Tetrachloroethane</li> <li>Tetrachloroethylene</li> <li>Toluene</li> <li>2,4,5-TP (silvex)</li> <li>Tribromoacetic acid</li> <li>1,2,4-Trichloroethane</li> <li>1,1,1-Trichloroethane</li> <li>1,1,2-Trichloroethane</li> <li>Trichloroethylene</li> <li>Trihalomethanes (includes):                             <ul style="list-style-type: none"> <li>Chloroform surrogate chemical)</li> <li>Bromoform</li> <li>Bromodichloromethane</li> <li>Chlorodibromomethane</li> </ul> </li> <li>Xylenes (total)</li> </ul>

## Contaminant Reduction

Contaminant	Required Influent Level (µg/L) <sup>2</sup>	NSF Max. Permissible Eff. Level (µg/L) <sup>2</sup>	Average Influent Level (µg/L) <sup>2</sup>	Avg. / Max. Effluent Level (µg/L) <sup>2</sup>	Avg. / Min. Percent Removal	EPA <sup>1</sup> MCL (µg/L) <sup>2</sup>
Lead @ pH 6.5	150 ± 10%	10	150	1/1	99.3 / 99.3	15
Lead @ pH 8.5	150 ± 10%	10	150	1/1	99.3 / 99.3	15
<b>Substance</b>						
Chlorine Taste, and Odor	2000 ± 10%	50% <sup>3</sup>	2,100	50/50	97.6/97.6	None <sup>4</sup>
Particulate, Class I (0.5 to < 1 micron) <sup>5</sup>	10,000 <sup>5</sup>	85% <sup>3</sup>	6,000,000 <sup>5</sup>	1,200 / 2100 <sup>5</sup>	99.9 / 99.9	None <sup>4</sup>
<b>VOC Reduction<sup>6</sup></b>						
Chloroform	300 ± 10%	95%	280	0.5 / 0.5	99.8 / 99.8	15

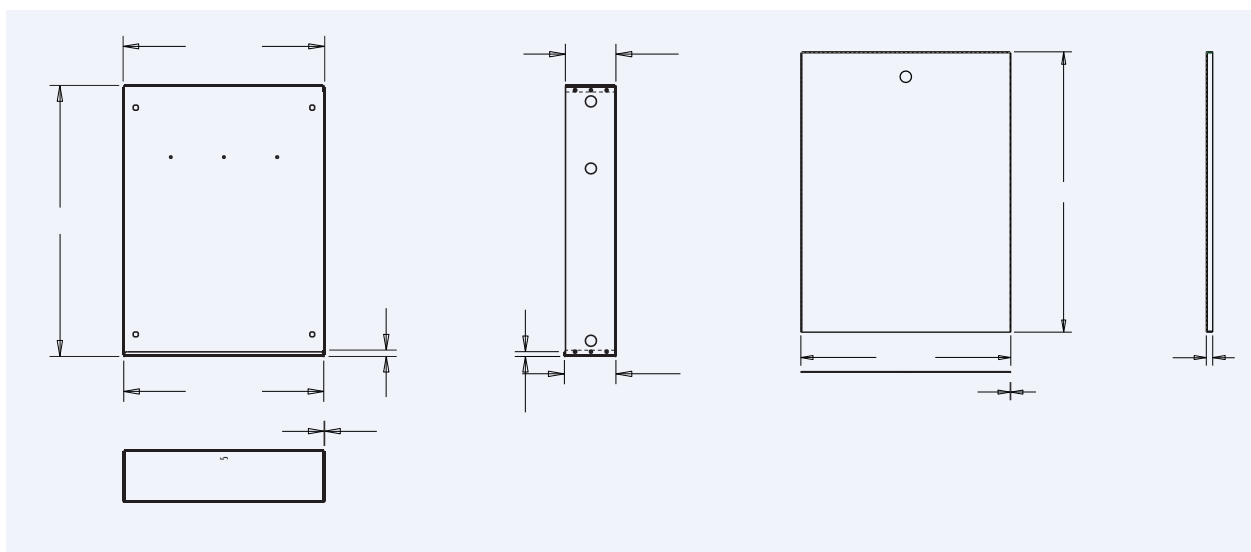
<sup>1</sup> EPA MCL means Environmental Protection Agency Maximum Contaminant Level as required under the Safe Drinking Water Act.  
<sup>2</sup> µg/L means Micrograms per Liter, which is equivalent to parts to billion (PPB).  
<sup>3</sup> NSF minimum percent reduction requirement. Acceptance level for this substance is based on percent reduction rather than maximum effluent concentration.  
<sup>4</sup> The EPA has not determined an MCL for this chemical.  
<sup>5</sup> Particulate Class I reported in particles per milliliter or mL.  
<sup>6</sup> Chloroform was used as a surrogate for the reduction of chemicals specified in the Organic Chemicals Reduced by Chloroform Surrogate Testing table.  
<sup>7</sup> Contaminant reduction claims are based on the NSF certified integral system EPS1000.

Cyst, virus and bacteria reduction tested by BioVir Labs in accordance with the EPA and State of California Department of Public Health test protocol, per the certificate on the Performance Data Sheet.

Substance	Log Reduction	% Reduction
Cyst	3.5	99.95%
Virus	4	99.99%
Bacteria	6	99.9999%

Contact your EcoWater Pro for the list of organic chemicals reduced by this system.

## Dimensions



For speedy quotes or answers to questions, contact us at:

[inquiries@ecowater.com](mailto:inquiries@ecowater.com)

Specifications subject to change without notice. Orders are subject to acceptance by EcoWater Systems LLC.

